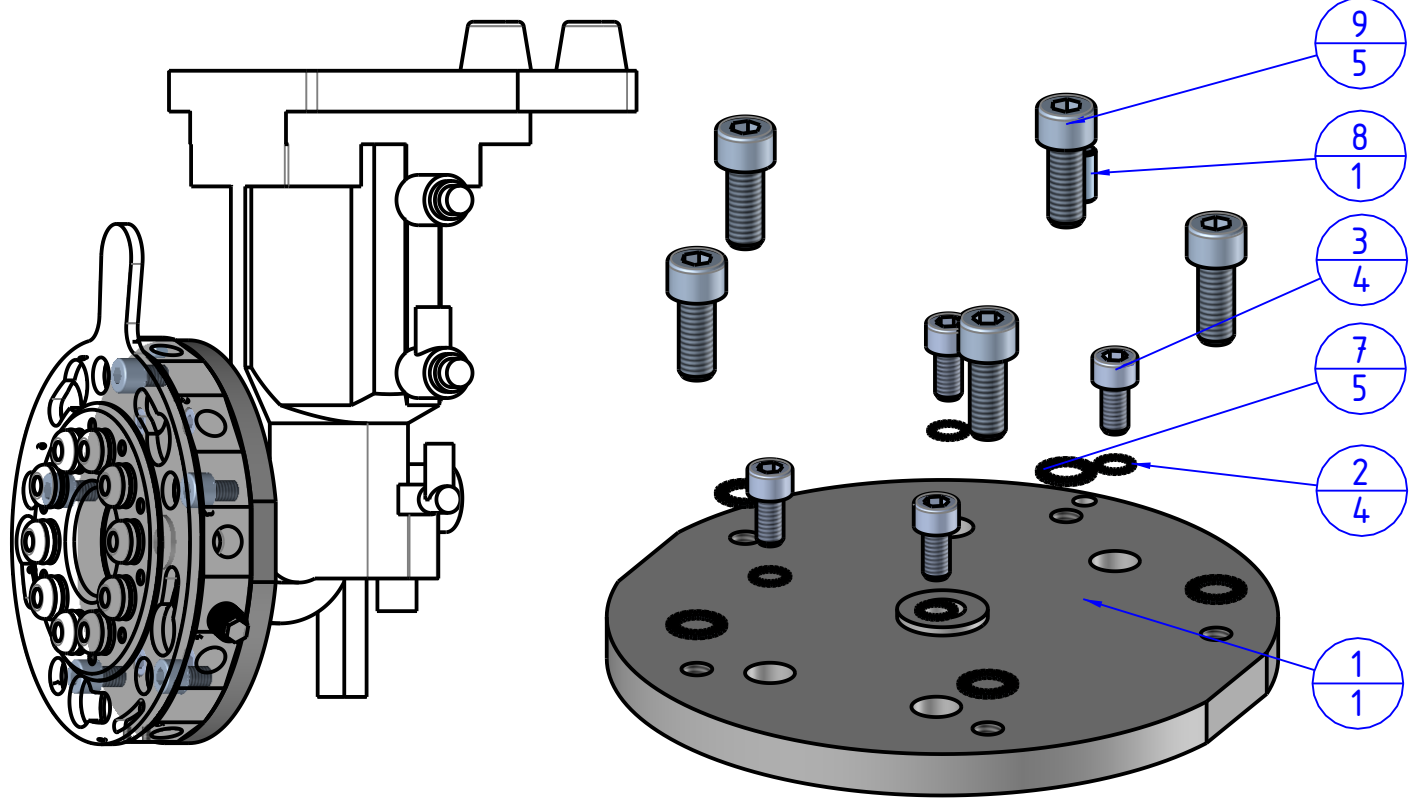
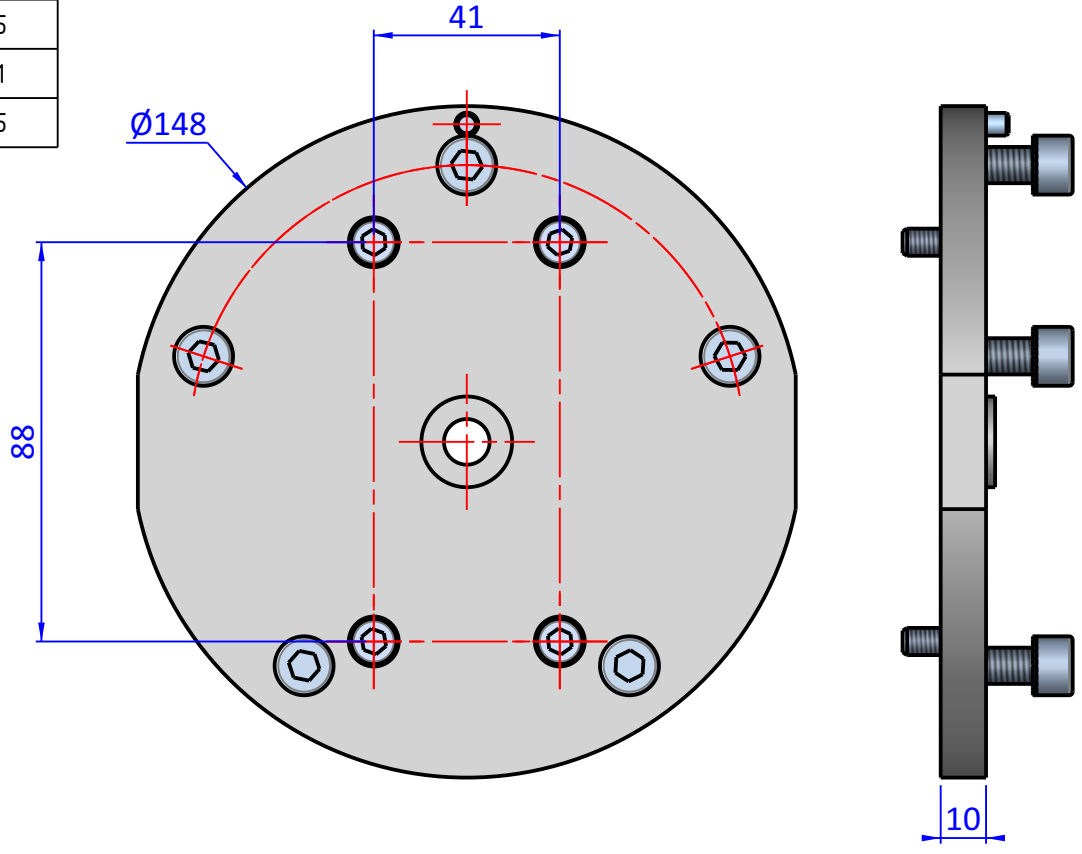

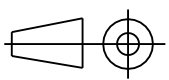


Item	Name	Q.ty
1	CU.150.IW	1
2	R.6.SCH	4
3	V.TCE6x12	4
7	R.8.SCH	5
8	SP.5X12	1
9	V.TCE8x20	5



THE PROPERTY OF THE DRAWING IS ESTABLISHED BY LAW. IT IS FORBIDDEN TO PRODUCE OR SHOW IT TO THIRD PART. WITHOUT A WRITTEN AGREEMENT.

Format A4 UNI 936-76	 FPS SERVICES AUTOMATION		DESIGNED FROM	FPS Automation	REVIEW	A
			DATE	16/02/2026	WEIGHT	0,555kg
			CODE	CA.CU.150.IW		